

BULKHEAD NEW



The Optiled B750 and B1500 models are versatile, maintenance-free, low-energy LED bulkhead fixtures for around the clock security and amenity lighting. With their advanced high-power LED lighting, optimized housing and diffuser design, they provide excellent, high-quality and reliable lighting for applications such as public corridors and stairways, industrial areas and underpasses. They offer a level of efficiency, reliable and durability that will deliver much faster payback compared to conventional compact fluorescent lamps (CFL).

✓ Applications

1. Public corridors in residential, commercial and industrial areas
2. Amenity outdoor lighting
3. Underpasses
4. Carparks
5. Staircases

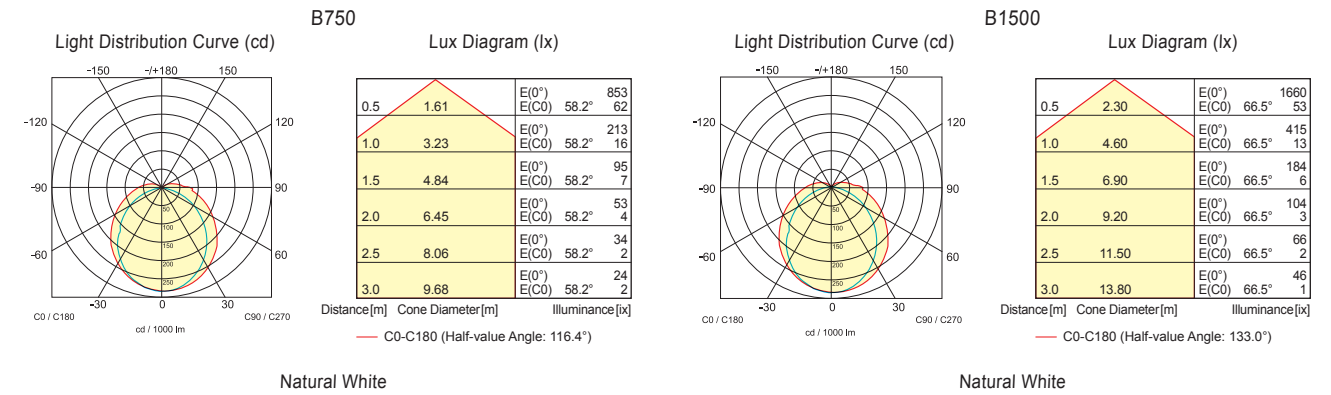
» Features

1. High power efficacy
2. Long life span
3. Intelligent brightness adjuster in 5 levels (60%, 70%, 80%, 90% and 100%)
4. Weatherproof IP54

★ Benefits

1. Cost saving in energy consumption
2. Reduce maintenance costs
3. Able to provide variance for different lighting tasks

Photometric Diagram



Specifications		
Product Name	B750 LED Bulkhead	B1500 LED Bulkhead
Part No.	1952400011	1952400012
Color	Natural White	
Color Temp (CCT)	4000 K	
Color Rendering Index (CRI)	75 Ra	
Input Voltage	220V-240V AC	
Rated Current	42 mA	86 mA
Rated Frequency	50 Hz	
Lumen Output	750 lm	1500 lm
Total Power	10 W	20 W
Lumen Efficacy	75 lm/W	
Beam Angle	120°	
Life Span	50,000 hrs	
Operating Temperature	-35°C ~ +45°C	
Storage Temperature	-20°C ~ +60°C	
Application	Indoor / Outdoor	
IP Rating	IP54	
Dimmable	Yes (60%, 70%, 80%, 90%, 100%)	
RoHS	Yes	
Material		
Housing	Aluminum	
Housing Color	White	
Diffuser	Plastic (PC)	

